

RAMPS

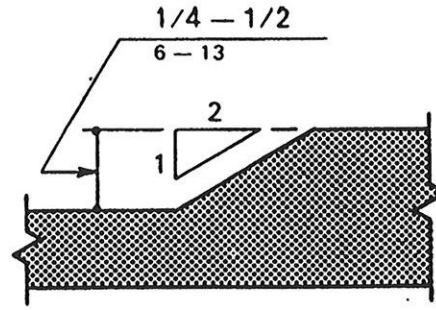
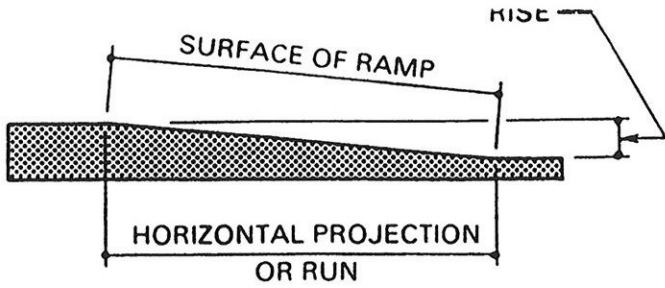
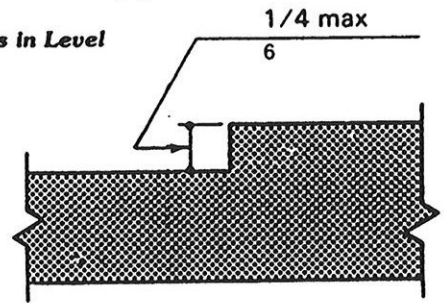


Fig. B4.5 Changes in Level

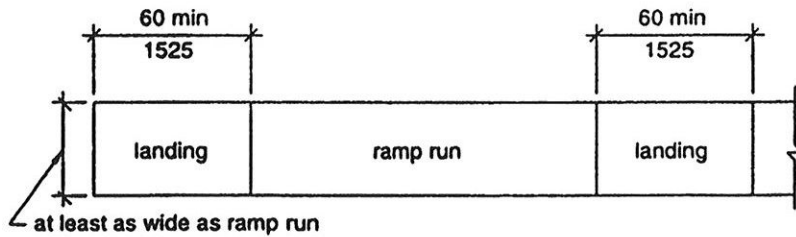
Slope	Maximum Rise		Maximum Horizontal Projection	
	in	mm	ft	m
1:12 to 1:15	30	760	30	9
1:16 to 1:19	30	760	40	12
1:20	30	760	50	15

Fig. B4.8.2

Components of a Single Ramp Run and Sample Ramp Dimensions



(a) Vertical Changes in Level

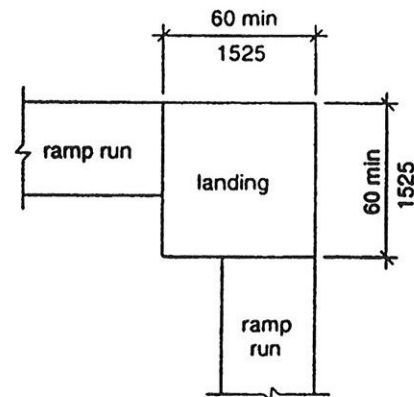


(a)

Ramps shall have landings at bottom and top of each run.

Landing length shall be 60 inches minimum clear.

Ramps that change direction at landings shall have a 60 inch minimum by 60 inch minimum landing.



(b)