

Chapter 5. General Site and Building Elements

501 General

501.1 Scope. General site and building elements required to be accessible by the scoping provisions adopted by the administrative authority shall comply with the applicable provisions of this chapter.

502 Parking Spaces

502.1 General. Accessible parking spaces shall comply with Section 502.

502.2 Vehicle Spaces. Car and van parking spaces shall be 96 inches (2440 mm) wide minimum and shall have an adjacent access aisle complying with Section 502.3.

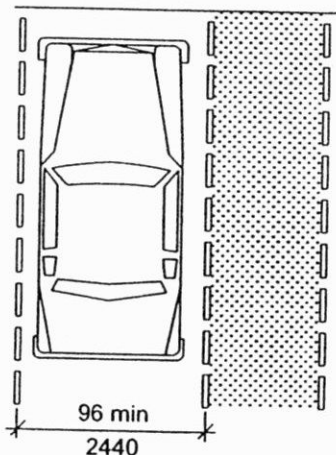


Fig. 502.2
Vehicle Parking Space

502.3 Access Aisle. Access aisles serving parking spaces shall comply with Sections 502.3.1 through 502.3.3. Parking access aisles shall be part of the accessible route to the building or facility entrance and shall comply with Section 402. Two parking spaces shall be permitted to share a common access aisle. Parked vehicle overhangs shall not reduce the clear width of an accessible route.

502.3.1 Width. Access aisles serving car parking spaces shall be 60 inches (1525 mm) wide minimum. Access aisles serving van parking spaces shall be 96 inches (2440 mm) wide minimum.

502.3.2 Length. Access aisles shall extend the full length of the parking spaces they serve.

502.3.3 Marking. Access aisles shall be marked so as to discourage parking in them.

502.4 Floor or Ground Surfaces. Parking spaces and access aisles shall have surface slopes not steeper than 1:48. Access aisles shall be at the same level as the parking spaces they serve.

502.5 Vertical Clearance. Parking spaces for vans shall have a vertical clearance of 98 inches (2490 mm) minimum at the space and along the vehicular route thereto.

502.6 Identification. Where accessible parking spaces are required to be identified by signs, the signs shall include the International Symbol of Accessibility complying with Section 703.7. Such signs shall be 60 inches (1525 mm) minimum above the floor or ground surface of the parking space, measured to the bottom of the sign.

503 Passenger Loading Zones

503.1 General. Accessible passenger loading zones shall comply with Section 503.

503.2 Vehicle Pull-up Space. Passenger loading zones shall provide an access aisle complying with Section 503.3, adjacent and parallel to a vehicle pull-up space.

503.3 Access Aisle. Access aisles serving passenger loading zones shall comply with Section 302 and Sections 503.3.1 through 503.3.3. Access aisles shall be part of the accessible route to the building or facility entrance and shall comply with Section 402.

503.3.1 Width. Access aisles serving vehicle pull-up spaces shall be 60 inches (1525 mm) wide minimum.

503.3.2 Length. Access aisles shall be 20 feet (6100 mm) long minimum.

503.3.3 Marking. Access aisles shall be marked so as to discourage parking in them.

503.4 Floor or Ground Surfaces. Vehicle pull-up spaces in passenger loading zones and access aisles shall have surface slopes not steeper than

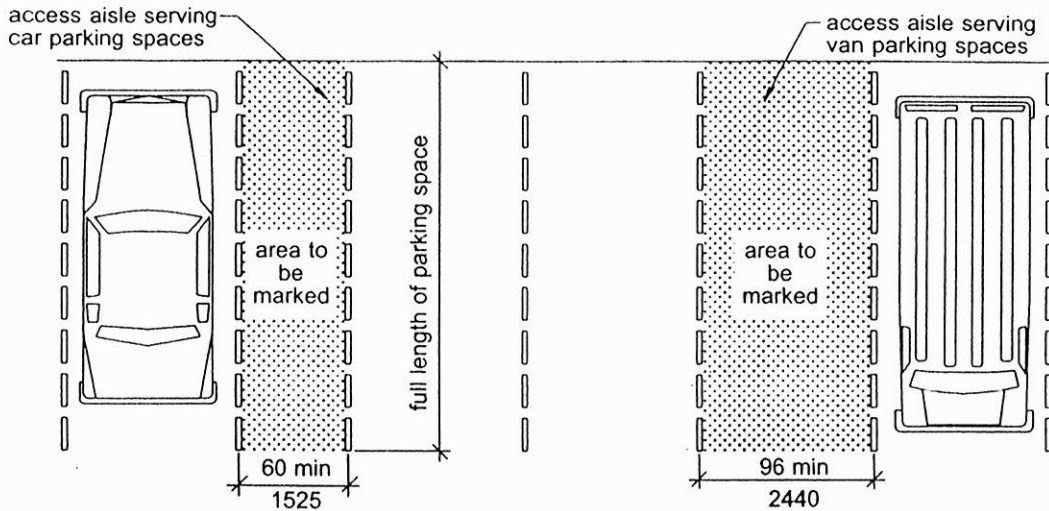


Fig. 502.3
Parking Space Access Aisle

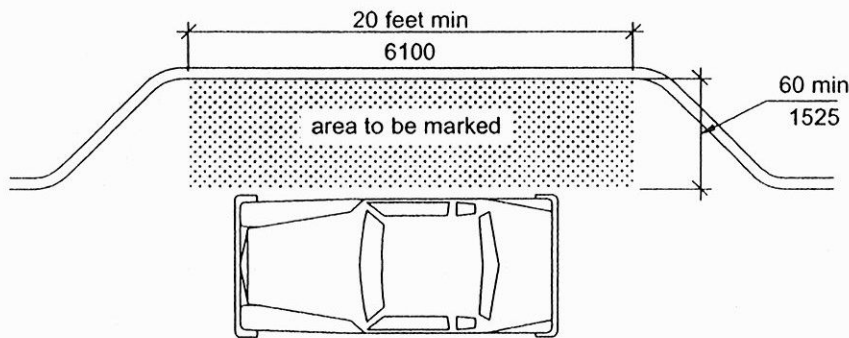


Fig. 503.3
Passenger Loading Zone Access Aisle

1:48. Access aisles shall be at the same level as the vehicle pull-up space they serve.

503.5 Vertical Clearance. Vertical clearance of 114 inches (2895 mm) minimum shall be provided at passenger loading zones and along vehicle access routes to such areas from site entrances.

504 Stairways

504.1 General. Accessible stairs shall comply with Section 504.

504.2 Treads and Risers. All steps on a flight of stairs shall have uniform riser heights and uniform tread depth. Risers shall be 4 inches (100 mm) high minimum and 7 inches (180 mm) maximum. Treads shall be 11 inches (280 mm) deep minimum, measured from riser to riser.

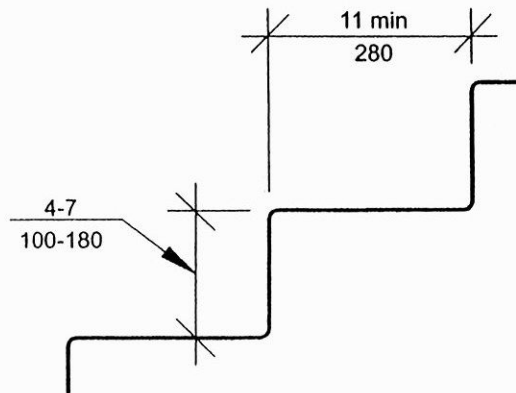


Fig. 504.2
Treads and Risers for Accessible Stairways